

ENG

Technical instructions

for installation, use and maintenance
of sustainable and airtight stove



A10

Dear Customer,

We thank you for having chosen one of our products, the fruit of technological experience and of continual research for a superior quality product in terms of safety, dependability, and service.

In this manual you will find all the information and useful suggestions to use your product with the maximum safety and efficiency.



We highly recommend to turn to our Authorized Service Centre for the installation and the first ignition of the device as it not only carries out the installation perfectly but also verifies the regular operation of it.

- Incorrect installation, incorrectly performed maintenance, improper use of the product release the manufacturer from every eventual damage derived from the use of the stove.
- The unit cannot be used as an incinerator. Do not use fuels other than pellets.
- This manual has been realized by the manufacturer and constitutes an integral part of the product and must remain with it during its entire lifetime. If the product is sold or transferred, be sure that the booklet is present since the information contained in it are addressed to the buyer, and to all those persons of various titles who complete the installation, use and maintenance.
- Carefully read the instructions and the technical information contained in this manual, before proceeding with the installation, use, and any operation on the product.
- The observance of the indications contained in the present manual guarantees the safety of people and the product, the economy of use and a longer functioning lifetime.
- Although the carefully studied design and the risk analysis done by our company has permitted the realization of a safe product, in any case, before effecting any operation on the stove, it is recommended to keep said manual available and pay scrupulous attention to the instructions written therein.
- Be very careful when moving the ceramic details where present.
- Check the precise flatness of the pavement where the product will be installed
- The wall where the product will be placed must not be constructed in wood, or in any case, made of an inflammable material, and in addition it is necessary to maintain a safety distance.
- While the stove is in operation, several parts of the stove (door, handle, sides) can reach high temperatures. Therefore pay attention and use the proper precautions, above all in the presence of children, elderly or disabled persons, and animals.
- Assembly must be performed by authorized persons (Authorized Assistance Center).
- Diagrams and drawings are furnished for the purpose of illustration; the manufacturer, with the intent of pursuing a policy of constant development and renewal of the product can, without any notice, make any modifications that are believed opportune.
- When the stove is working at its maximum speed, it is strongly suggested to wear gloves while handling with the door for pellets loading and the door handle.
- It is prohibited to install in bedrooms or in explosive environments.
- Only use replacement parts recommended by the supplier.



Never cover the body of the stove in any way or obstruct the openings placed on the upper side when the device is operating. All our stoves are trial lighted on the construction line.

In the event of a fire, disconnect the power supply, use an extinguisher and call the fire fighters if necessary. After that contact the Authorized Assistance Center.

This instruction booklet is an integral part of the product: make sure that it always accompanies the appliance, even in case of transfer to another owner or in the case of transfer to another place. In the event of damage or loss, request a copy from the area technician.

THESE SYMBOLS INDICATE SPECIFIC MESSAGES IN THIS BOOKLET:



ATTENTION: This warning sign indicates that the message to which it refers should be carefully read and understood, because failure to comply with what these notices say can cause serious damage to the stove and put the user's safety at risk.



INFORMATION: This symbol is used to highlight information which is important for proper stove operation. Failure to comply with these provision will compromise use of the stove and its operation will not be satisfactory.

Norms and declarations of conformity

Our company declares that the stove conforms to the following norms for the EC European Directive labelling:

- 2015/1185 UE
- 2014/30 UE (regulation EMCD) and following amendments;
- 2014/35 UE (Low Voltage Directive) and following amendments;
- 2011/65 EU (RoHS 2 directive);
- 2015/863 EU (delegated directive recently amended Annex II of the Directive 2011/65 EU);
- Ecodesign directive 2009/125/EC;
- The Rules of Construction Products (CPR- Construction Products Regulation) No. 305/2011 regarding the construction world;
- **While installing the unit respect the local, national and European rules;**
- EN 55014-1; EN 55014-2; EN 61000-3-2; EN 61000-3-3; EN 60335-1; EN 60335-2-102; EN 62233, EN 50581.

Safety information

Please carefully read this use and maintenance manual before installing and operating the stove! If clarification is needed, please contact the dealer or the Authorized Assistance Center.

- The pellet stove must only be operated in living environments. This stove, being controlled by an electronic board, permits a completely automatic and controlled combustion; the exchange, in fact, regulates the lighting phase, 5 power levels and the shut down stage, guaranteeing the safe operation of the stove.

- The basket used for combustion allows most of the ash produced by the combustion of the pellets to fall into the collection compartment. Nevertheless, check the basket daily, given that not all pellets have high quality standards (use only quality pellets recommended by the manufacturer)

Responsibility

With the delivery of the present manual, we decline all responsibility, both civil and penal, for accidents deriving from the partial or total lack of observance of the instructions contained herein.

We decline every responsibility derived from improper use of the stove, from incorrect use by the user, from unauthorized modifications and/or repairs, from the use of replacement parts that are not original for this model. The manufacturer declines every civil or penal, direct or indirect responsibility due to:

- Lack of maintenance;
- Failure to observe the instructions contained in the manual;
- Use in non-conformity with the safety directives;
- Installation in non-conformity with the norms in force in the country;
- Installation by unqualified or untrained personnel;
- Modifications and repairs not authorized by the manufacturer;
- Use of non-original replacement parts;
- Exceptional events.

Instructions for safe and efficient use

- The device can be used by children that are not less than 8 years old and people with reduced physical, sensory or mental capabilities, or lack of experience or knowledge, provided being under supervision of someone responsible or after having received instructions relating to the safe use of the device and to the understanding of the dangers inherent to it. Children should not play with the device. Cleaning and maintenance to be performed by the user should not be made by children without supervision;
- Do not use the stove as a ladder or scaffold;
- Do not put clothes to dry on the stove;
- Any clothes hangers and suchlike must be kept a suitable distance from the stove. - Risk of fire;
- Carefully explain that the stove is made from material subjected to high temperatures for the elderly, the disabled, and in particular for all children, keeping them away from the stove during operation;
- Do not touch the stove with wet hands: the stove has electrical components that could produce sparks if handled incorrectly;
- Never open the glass door of the pellet stove while the stove is in operation;
- The stove must be connected to an electrical system equipped with an earthing conductor in accordance with regulations 73/23 and 93/98 EEC;
- The system must be of adequate electrical power declared the stove;
- Do not wash the inside of the stove with water.
- The water could damage the electrical insulation, causing electric shock;
- Do not expose your body to hot air for a long time. Do not overheat the room you are in and where the stove is installed. This can damage the physical conditions and cause health problems;
- Do not expose to direct the flow of hot air plants or animals;
- The pellet stove is not a cooking element;
- External surfaces during operation can become very hot. Do not touch them except with the appropriate protection;
- The plug of the device power cable must be connected only after installation and assembly of the device and must remain accessible after installation, if the unit is not provided of a double-pole switch suitable and accessible.
- Pay attention that the power cord (and any other cables external to the appliance) do not touch hot parts.
- Do not lay objects, glasses, infusers, room perfumers on the stove, they could be damaged or to damage the stove (in this case de warranty does not respond).
- In the event of a start-up system, do not force switch on;
- Unburnt pellet accumulation in the burner following "no switch on" must be removed before proceeding with new switch on. Before each restart, ensure the grate is well positioned and clean;
- It is forbidden to manually load the fuel in the grate. Non-compliance with this warning can generate dangerous situations;
- Evaluate the static conditions of the surface on which the weight of the product gravitates;
- Extraordinary maintenance operations must be carried out by authorised and qualified staff only;
- Disconnect the electrical power supply of the product before carrying out any maintenance operation;
- On first start-up, smoke may generate due to initial heating of the paint. Keep the premises well ventilated.



Never turn off the heater by removing electricity. Let always complete the shutdown cycle, otherwise you may damage the structure and have trouble lighting in the future.



The stove is equipped with a safety device to prevent operation with dangerous negative pressure in the combustion chamber caused for example by unfavourable climatic situations or blockages in the flue. If intervening on this device, do not tamper with it and wait for the climatic situation to allow the flue to return to a negative pressure that would guarantee correct operation of the stove. If the stove is installed in particularly windy situations for long periods of time which would prevent daily use of the stove, the smoke extractor speed can be increased to guarantee correct negative pressure in the combustion chamber. This operation must be carried out by an authorized technician.

Operating area

For proper functioning and a good temperature distribution, the stove should be positioned in a location where it is able to take in the air necessary for combustion of the pellet (about 40 m³/h must be available), as laid down in the standard governing the installation and in accordance with local national standards.

The volume of the room must not be less than 20 m³.

It is compulsory to install an adequate outdoor air intake which would allow oxidising air input necessary for correct operation of the product.

The air flow between the outside and the installation premises can take place directly, through an opening on an external wall of the premises (**preferred solution, see Fig. 1a**); or indirectly, through air intake from the adjoining premises with air intake and permanently communicating with the installation premises (see Fig. 1b).

Adjoining premises excludes those used as bedrooms, bathrooms, garages, common areas of a building and, in general, premises in danger of catching fire.

Consider the doors and windows present which could interfere with correct air flow to the stove and maintain 1.5 metres from any smoke outlet.

The air intake must have a minimum total net surface of 100 cm² protected by an external grate which must not be obstructed and/or blocked and which should be periodically cleaned: the aforementioned surface should be increased as a result if there are other active generators inside the premises (for example: electric fans for stale air extraction, kitchen hood, other stoves, etc...), which could generate a negative pressure environment. A check is necessary, with all the equipment on, that the drop in pressure between the room and the outdoors does not exceed a value of 4 Pa.

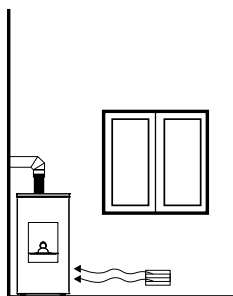


FIG. 1a- DIRECTLY FROM OUTSIDE

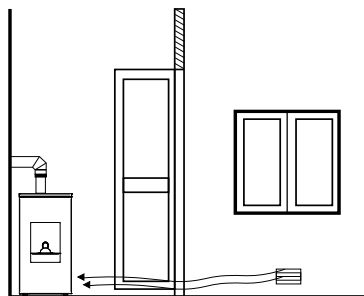


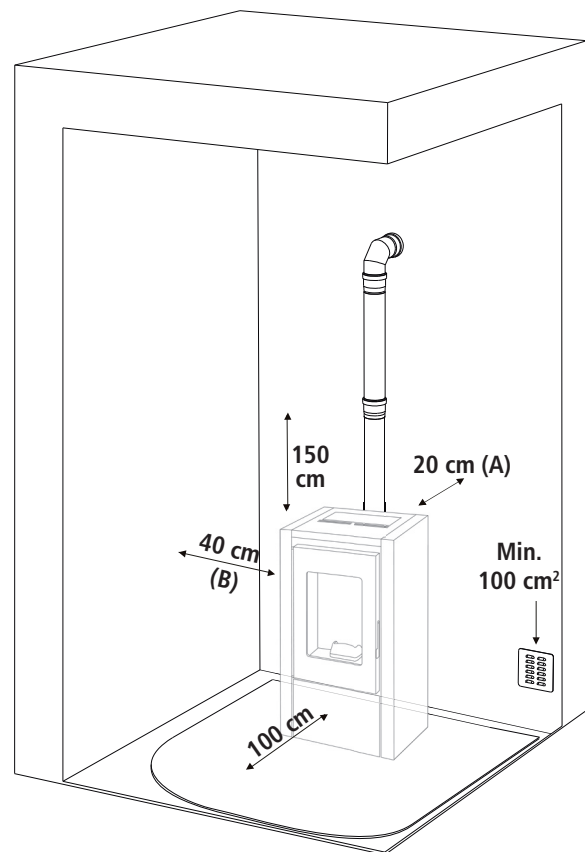
FIG. 1b- INDIRECTLY FROM ADJACENT PREMISES



Installation in studio flats, bedrooms and bathrooms is only permitted for airtight or closed chamber equipment with an adequate canalization for oxidising air duct outwards.



Locating the stove in a room with an explosive atmosphere is prohibited. The floor of the room where the stove is to be installed must be strong enough to take its weight. Keep a minimum rear distance (A) of 20 cm, on the side (B) 40 cm and, on the front, 100 cm. These distances must be complied with to allow extraordinary maintenance by a technician and product safety. If particularly delicate objects are present such as furniture, curtains or sofas, the distance of the stove must be increased considerably.



In the presence of wood floors, install a floor protection surface in compliance with the rules in force in the country

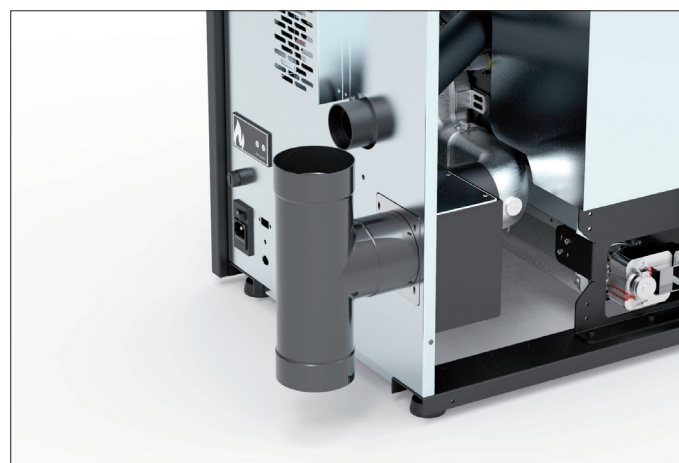
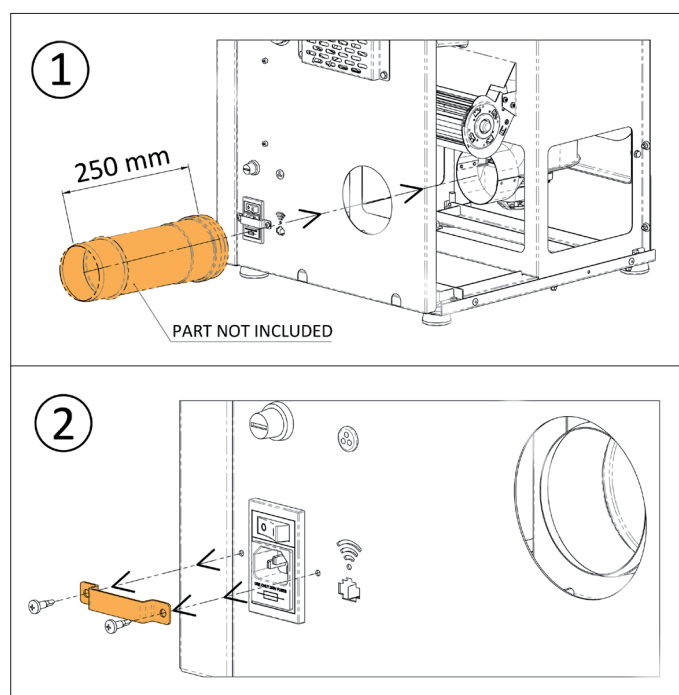
Flue connection

REMARKS:

- The appliance must be installed by a qualified technician in possession of the technical and professional requirements, under its responsibility, to ensure compliance with the rules of good technique.
- You need to keep in mind all laws and national, regional, provincial and municipal laws of the country in which you installed the device
- Check that the floor is not flammable: if necessary use a suitable platform
- In the room where the generator must be installed to heat must not pre-exist or be installed with an extractor hood or ventilation ducts of the collective type. Should these devices be located in adjacent rooms communicating with the installation, and 'prohibited the simultaneous use of the heat generator, where there is a risk that one of the two rooms being placed in depression than the other.

REAR flue connection

The stove is supplied by default with a back smoke outlet. The pipe is not supplied as standard with the stove. At the outlet is necessary to provide a T-pipe with a collection cup (not supplied with the stove).



The following instructions have the purpose of giving instructions on installation of a good flue, however they do not replace in any way the standards in force of which a qualified builder must be aware. The stove manufacturer cannot be held in any way liable in civil or criminal terms for poor operation of the stove due to a wrongly sized flue and/or non-compliance with legislation in force, which must be complied with. The flue must be built to standard and category \geq T200 or higher, with a vertical progression without choking, resistant to condensate and resistant to fire caused by soot. It must be externally insulated to avoid smoke cooling and it must have a condensate drain. If the flue is a cement shaft, it must be ducted. The flue must be inspected for cleaning and must also be distanced from flammable and/or combustible materials.



Installation of the flue is not permitted shared with other equipment.

The minimum distances to comply with from any chimneys or reflux zones are outlined below.

Check the negative pressure between the flue and the environment installed comply with the instructions in the technical characteristics. The minimum height of the flue is 3.5 metres and must have an internal section that allows these minimum requirements to be met. Check the correct configurations using UNI EN 13384-1.

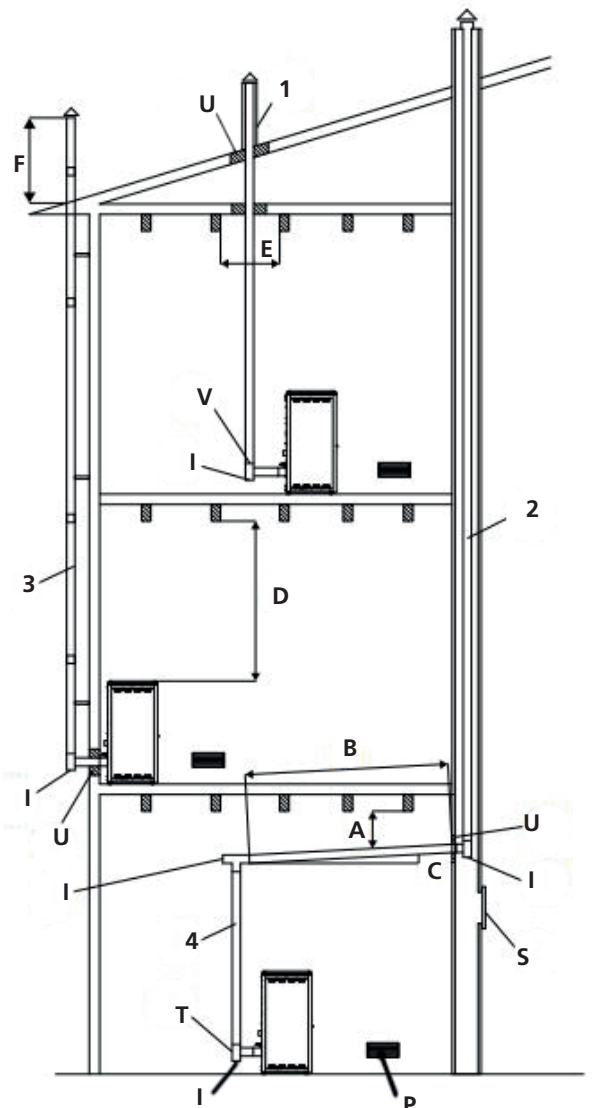
The flue must always be clean. Any soot residue reduces the section of the flue which would compromise draught and the soot could catch fire. Have a professional chimney sweep clean the flue and the chimney at least once a year and before switching on the generator after periods of inactivity. Lack of cleaning will negatively impact correct operation of the equipment.

Flue connection

The joint between the stove and the flue must be installed using suitable tubes (min. T200). Use is forbidden of flexible metal tubes, in cement fibre or aluminium. The slope of the smoke duct must not have horizontal sections over 2 metres and must have a minimum 3% inclination. The first change of direction must take place after at least 1.5 metres of the vertical section. Inspect the base of the smoke duct with periodic controls. It is forbidden to connect the same smoke duct on multiple equipment. Keep the smoke duct an adequate distance from any flammable parts or parts sensitive to heat. Refer to the instructions given by the manufacturer of the flue for the distances to respect.

A= MINIMUM 40 MM	E= DIAMETER OF HOLE	I= INSPECTION PLUG
B= MAXIMUM 4 M	F= SEE FIG. 2-3-4-5-6	S= INSPECTION DOOR
C= MINIMUM 3°	U= INSULATION	P= AIR INTAKE
D= MINIMUM 400 MM	V= POSSIBLE REDUCTION from 100 to 80mm	T= T JOINT WITH INSPECTION PLUG

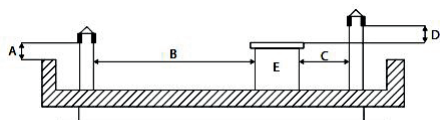
Example of correct installation.



Chimney

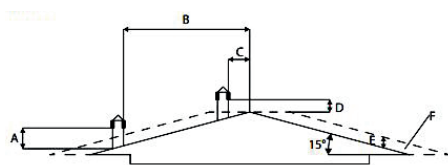
The opening area for smoke evacuation must be at least double the section of the flue and must prevent snow and animals entering. The measurement of the opening in the atmosphere must be outside the backflow zone caused by the shape of the roof and/or any obstacles found nearby. Pay attention to the presence of skylights and dormer windows.

FLAT ROOF



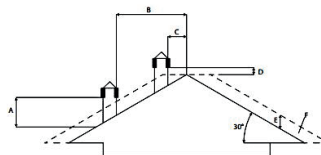
- A = MIN. 0,50 m.
- B = DISTANCE > 2,00 m.
- C = DISTANCE < 2,00 m.
- D = 0,50 m.
- E = TECHNICAL VOLUME

15° ROOF



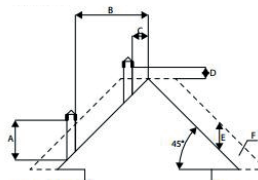
- A = MIN. 1,00 m
- B = DISTANCE > 1,85 m
- C = DISTANCE < 1,85 m.
- D = 0,50 m. OVER THE RIDGE
- E = 0,50 m.
- F = BACKFLOW ZONE

30° ROOF



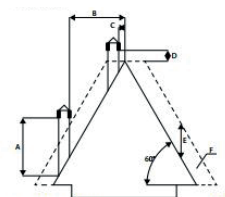
- A = MIN. 1,30 m.
- B = DISTANCE > 1,50 m.
- C = DISTANZA < 1,50 m.
- D = 0,50 m. OVER THE RIDGE
- E = 0,80 m.
- F = BACKFLOW ZONE

45° ROOF



- A = MIN. 2,00 m
- B = DISTANCE > 1,30 m.
- C = DISTANCE < 1,30 m.
- D = 0,50 m OVER THE RIDGE
- E = 1,50 metri
- F = BACKFLOW ZONE

60° ROOF



- A = MIN. 2,60 m
- B = DISTANCE > 1,20 m.
- C = DISTANCE < 1,20 m.
- D = 0,50 m. OVER THE RIDGE
- E = 2,10 m.
- F = BACKFLOW ZONE

Stove feet adjustment



The stove is delivered with the feet screwed on. Before installation, unscrew the feet so that there is a 2 cm gap between the floor and the stove.

THIS IS OBLIGATORY FOR THE CORRECT OPERATION OF THE STOVE.



Charge pellet

Fuel is loaded from the upper part of the stove by opening a door.

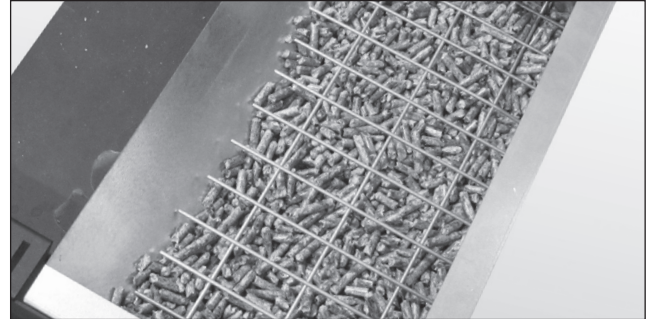
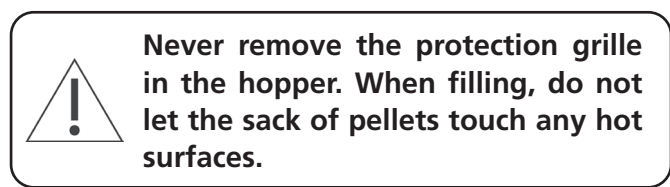
Pour the pellets in the hopper. This is easier if performed in two steps:

- Pour half of the contents of the bag into the hopper and wait for the fuel to settle on the bottom.
- Then pour in the second half;
- Keep the cover closed, after loading the pellets, the lid of the fuel tank;
- Before closing the door load-pellet make sure that there are no residues of pellets around the seal. If carefully cleaned to avoid compromising the seals.

The stove is a product by heating, presents the external surfaces particularly hot.

For this reason, we recommend extreme caution when operating in particular:

- Do not touch the stove body and the various components, do not approach the door, it could cause burns;
- Do not touch the exhaust fumes;
- Do not perform any type of cleaning;
- Do not dump the ashes;
- Do not open the ash tray;
- Be careful that children do not come near.



ONLY FOR HERMETIC STOVES.

To ensure an airtight seal, the rebate of the door seal should always be cleaned first.



- Use only wood pellets;
- Keep / store the pellets in a cool dry place;
- Never pour pellets directly on the hearth;
- Before making the electrical connection of the stove the discharge tubes must be connected with the flue;
- The environment where the stove is installed must have a sufficient exchange of air;
- It is forbidden to operate the stove with the door open or the glass broken;
- Do not use the stove as an incinerator; the stove should be used only for the intended purpose;
- Any other use is considered improper and therefore dangerous. Do not put in the hopper other than wood pellets;
- When the stove is operating, the surfaces, glass, handle and tubes become very hot: during operation do not touch these parts without adequate protection;
- Keep the fuel and other inflammable materials off the stove.


Pellet

The pellets are cylinders of compressed wood, produced from sawdust and wood processing (chips and sawdust), generally produced by sawmills and carpenters. The binding capacity of the lignin contained in wood, allows to obtain a compact product without adding additives and foreign chemicals to the wood, is therefore obtained a natural fuel with high yield. The use of expired pellets or any other unsuitable material can damage parts of the stove and impair proper operation: this can lead to the termination of the guarantee, and its producer responsibility. With obvious floor capacity evaluation, in the installation premises, a maximum can be deposited of fuel, which corresponds to approx. 975kg of pellets.

For our products use pellets diameter 6 mm, length 30 mm and a maximum of 8% and A1 certified according to the UNI EN ISO 17225-2 standard. Keep the pellets away from heat sources and not in humid environments or with explosive atmosphere. The company recommends using certified fuel.

Stove start up

First lighting of the stove

- Before switching on, make sure that the grate is clean and empty of any pellet residues from previous combustions. Otherwise make sure you empty and clean it
- Fill the container 3/4 full with the pellets recommended by the manufacturer
- Connect the stove to an electrical outlet with the cable that has been supplied
- Press the lighting switch located on the back part of the stove
- The upper display will read **"OFF"**
- Press the button  for 2 seconds. After a few moments the smoke extractor and the lighting resistor will start and the display will read **"FAN ACC"**; The led resistance is switched on
- After 1 minute the display will read **"LOAD PELLETT"**, the stove will load the pellets and continue lighting the resistor
- Once the appropriate temperature has been reached the display will read **"STAB FIRE"**: this means that the stove has begun the last phase in lighting, at the end of which the stove will be completely operational; The led resistance is switched off
- After some minutes the display will show the words **"ON 1-2-3-4-5"** alternating room temperature and current working power. The stove is now completely on
- When the stove reaches the set temperature, the display will show **"ECO"**.
- The temperature LED lights up when the set temperature is reached.



Remove any components which might burn from the firebox and from the glass (various instructions and adhesive labels).



The brazier must be cleaned before each ignition.



Before lighting a small amount of smoke may fill the combustion chamber.




FOR THE SPECIALIST TECHNICIAN: After installation, verbally instruct the user on the correct use and maintenance of the stove.



We highly recommend to turn to our Authorized Service Centre for the installation and the first ignition of the device as it not only carries out the installation perfectly but also verifies the regular operation of it. During the first lighting the environment should be well ventilated since during the first hours of operation unpleasant odours could develop due to the physical stabilizing of the paint and from the grease in the tube bundle.

Stove switching off

To switch off the stove, press the key  on the control board until you read **"OFF"** on the display. After the stove has been switched off, the fan continues working for a set time in order to grant a fast smokes exhaust from the combustion chamber.

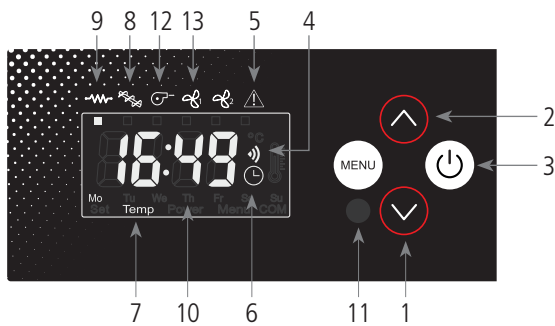
If you have a model with remote control, you just need to switch the remote control off keeping the key pressed for 2 seconds and confirming the selection pressing the key SEND.

If you try to switch on the stove during this phase, the display will show **"ATTE"** (that means wait for cooling) in order to inform you a switching off phase is running. Wait until the cooling phase is completely off and the display shows **"OFF"** before starting a new light up.

REMARKS:

- Do not continuously turn the stove on and off as this could provoke sparks that could shorten the life of the electrical components;
- Do not touch the stove with wet hands: the stove has electrical components that could produce sparks if handled incorrectly. Only authorized technicians can resolve possible problems;
- Do not remove any screws from the fire chamber without first lubricating them well;
- Never open the glass door of the pellet stove while the stove is in operation;
- Be sure that the brazier basket is positioned correctly;
- The flue system must be suitable for inspection. If it cannot be removed, it must have some holes for inspection and cleaning;

Control board



1. Temperature or power decrease
2. Temperature or power increase
3. Key On/Off
4. Receiver
5. Led alarm
6. Led chrono-thermostat
7. Led temperature ok
8. Led pellets loading
9. Led electrical resistance
10. Display LED 7 segments
11. Led On/Off
12. Led fume extractor
13. Led room fan

Display keys and functions

1. Using the key on the menu Set temperature, you can decrease the temperature from a maximum value of 40 °C to a minimum value of 7 °C.

With the key on the menu Set power, you can decrease the working power from a maximum value of 5 to a minimum value of 1.

2. Using the key on the menu Set temperature, you can increase the temperature from a min. value of 7°C to a max. value of 40°C.

With the key on the menu Set power, you can increase the working power from a min. value of 1 to a max. value of 5.

3. Keep the key pressed for 2 seconds to switch the stove on or off.

4. Sensor receiving the settings of the remote control.

5. The led blinks in the event of a malfunction or alarm.

6. This means the automatic single or daily programming of the switching on or off of the stove is on.

7. This is on when the stove reaches the set temperature. In this case you will read the word "Eco" and the set temperature on the display.

8. This led blinks every time the stove is loading pellets.

9. This led is on only while the stove is lighting up in order

to indicate that the resistance is warming the air which will fire the pellets.

10. On the display you can read the different working functions of the stove, the room temperature and the set working power. In the event of a malfunction, the display shows the relative error codes (see paragraph on alarm codes).

11. This led indicates the different phases of the stove:

- it is on if the stove is switched on and working

- it is off if the stove is switched off

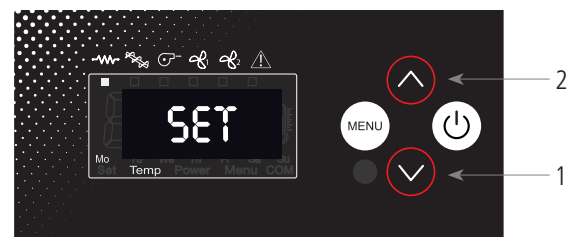
- it blinks if the stove is switching off

Stove setting

How to change the wished room temperature

Join the following procedure to change the wished temperature: press the key \ominus (1) once to enter the menu and set temperature. You will read the word "Set" and the wished temperature on the display. Use the keys \ominus (1) and \oplus (1-2) to increase or reduce the wished value.

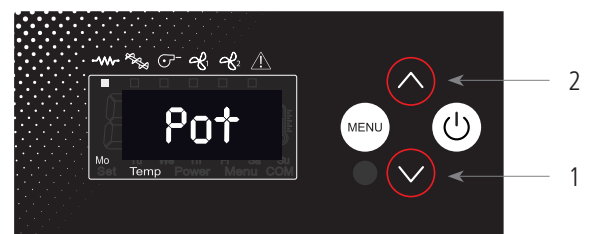
The stove will leave the menu Set temperature automatically as soon as you do not work on it for some seconds.

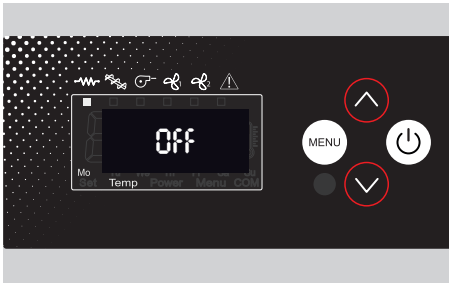


How to change the working power

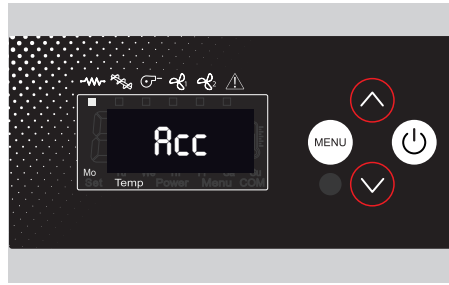
Join the following procedure to change the working power: press the key \oplus (2) once to enter the menu and set the working power. You will read the word "Pot" and the range of 5 possible powers on the display. Use the keys \ominus (1) and \oplus (2) to increase or reduce the wished value.

The stove will leave the menu Set working power automatically as soon as you do not use it for some seconds.

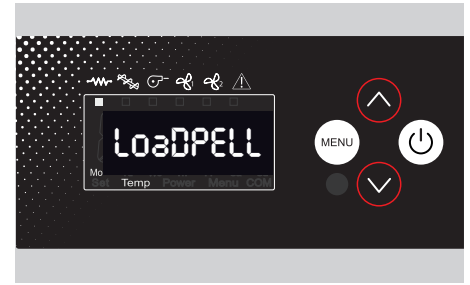




OFF
The stove is off.



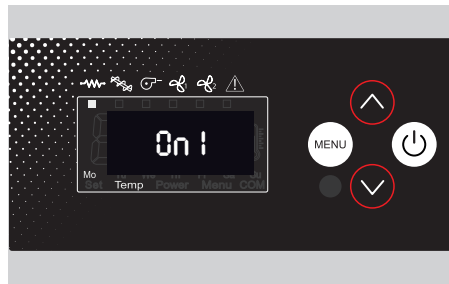
ACC
The stove is in the pre-heating phase of the electrical resistance. The electrical resistance and the fume extractor leds light up on the display.



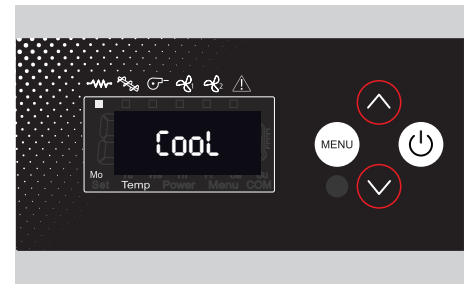
LOAD PELL
The stove is in the pellet loading phase and the electrical resistance is on. The electrical resistance, the fume extractor and alternately the auger leds light up on the display.



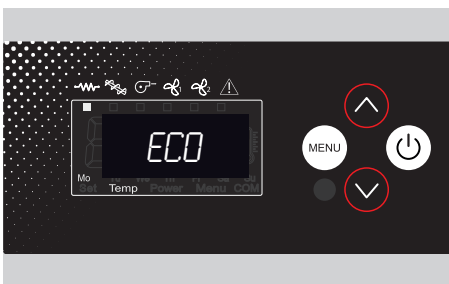
STAB FIRE
The stove stabilizes after reaching the minimum ignition temperature. The electrical resistance turns off. The fume extractor and alternately the auger leds light up on the display.



ON 1
The stove is working. The number indicates its power. The fume extractor, the room fan and alternately the auger leds light up on the display.



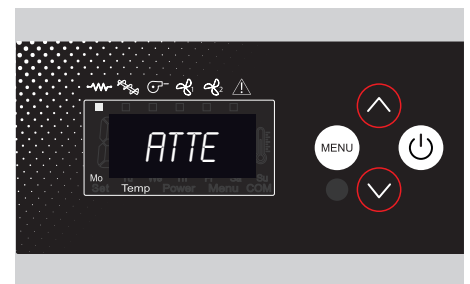
COOL
The stove is switching off and the fume extractor works at full speed. On the display only the fume extractor led is on.



ECO
The stove has reached the user temperature set and it switches to power 1 to keep the temperature constant.



STOP FIRE
The stove is in brazier cleaning. The fume extractor works at full speed.



ATTE
It appears when trying to restart the stove during the cooling cycle. Wait for the switching off cycle to complete, clean the brazier and proceed with a new ignition.

User programming is possible through the menu accessible by pressing MENÙ. The technical menu will appear as follows:

MN01	Current day	
MN02	Current hour	
MN03	Current minutes	
MN04	Access technical parameters	
MN05	Timer ON 1	Hourly programming Switching on Timer 1
MN06	Timer OFF 1	Hourly programming Switching off Timer 1
MN07	Timer 1 ON/OFF	Program Enablement 1 and Weekly Scheduling
MN08	Timer ON 2	Hourly programming Switching on Timer 2
MN09	Timer OFF 2	Hourly programming Switching off Timer 2
MN10	Timer 2 ON/OFF	Program Enablement 2 and Weekly Scheduling
MN11	Timer ON 3	Hourly programming Switching on Timer 3
MN12	Timer OFF 3	Hourly programming Switching off Timer 3
MN13	Timer 3 ON/OFF	Program Enablement 3 and Weekly Scheduling

To access the menu press button 1. Press button MENÙ further to go to the next menu.

12.1 Setting current day

Set menu MN01 according to the current day. This setting must be made only once, it will then be automatically updated by the card's internal clock. The OFF setting does not change the current setting.

DAY1	Monday
DAY2	Tuesday
DAY3	Wednesday
DAY4	Thursday
DAY5	Friday
DAY6	Saturday
DAY7	Sunday
OFF	Unconsidered

12.2 Setting the current time

Press MENÙ several times to select MN02. Then press keys 1 and 2 to set the current time. At the end press MENÙ repeatedly until exiting the technical menu or wait 20 seconds.

12.3 Setting current minutes

Press MENÙ several times to select MN03. Then press keys 1 and 2 to set the current time. At the end press MENÙ repeatedly until exiting the technical menu or wait 20 seconds.

12.4 Technical menu

Press MENÙ several times to select MN04. Then press keys 1 and 2 to select the menu as described in the paragraph. At the end press button 8 repeatedly until exiting the technical menu or wait 20 seconds.

12.5 Timer ON 1-2-3 hours minutes on

Press MENÙ key several times to select the desired menu based on the timer you want to change. Then press states 1 and 2 to set timer hours and minutes. At the end press button 8 repeatedly until exiting the technical menu or wait 20 seconds.

12.6 OFF timer 1-2-3 hours minutes off

Press MENÙ key several times to select MN06. Then press keys 1 and 2 to set timer hours and minutes. At the end press button 8 repeatedly until exiting the technical menu or wait 20 seconds.

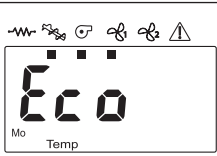

Initial load function (where present - optional)

When the tank is completely empty, in order to avoid failure of the next ignition, you can use this function which activates the auger for 30 seconds to allow the tank to be filled. After filling the tank, press the Menu button on the display until you reach Mn04, at which point press the up arrow (▲) to CP41 and press the Menu button. The auger will be activated for 30 seconds. You can repeat the operation until you see the pellets fall into the grate; at this point interrupt loading using the ON/OFF key. Before lighting the stove, empty the grate completely.

Pellets which have fallen into the grate must not be put back into the hopper!

Note: This operation can only be carried out if the stove is in OFF.



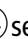



ECO STOP function (Stand-by) - ECO function






The stove has reached the set temperature and switches 1 to maintain this temperature.	
The stove has reached the set temperature and is starting the shutdown sequence.	

De thermostaat kan twee verschillende werkingsmodi hebben:

- Eco mode (StoF)(by default): when the set temperature is reached, the stove goes down to power 1 and stays on this power without switching off.
- Eco Stop Mode (St01...): when the set temperature is exceeded, the stove goes down to power 1 then switches off. It switches on again when the room temperature falls below the desired temperature.


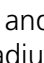
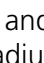


Change behavior mode:


- Press  repeatedly to display menu 04 (technical menu). 
- Press  several times to display the CP08 parameter. 
- Press to  confirm. 

- Press to  activate the Eco Stop mode and choose the number of degrees that will trigger the shutdown of the stove. 
- Example: if the temperature of 20°C has been set and parameter St02 chosen, the stove will stop when the temperature of 22° is reached. 
- Press to  confirm. 

Remote Control

The remote control (Fig. 3) used to adjust temperature, power and the on/off functions for the pellet stove.

To start the stove, press key  and the stove will automatically enter the starting phase. Press keys  + (1) and  - (2) to adjust temperature, and use keys  + (6) and  - (5) to adjust operating power.

To turn off the stove, hold down key .

To replace the 3 volt battery located on the back of the remote control, pull the centre of the cover and the lever on the side of the same, replace the battery observing the correct polarity (Fig. 4)



Alarms signal

NO ACC

If during the ignition phase the fumes temperature does not increase by a set value or does not reach the set temperature in the expected time, the mother shows an ignition error message.

- The ignition phase ends and the stove goes to controlled cooling mode.
- The display shows the "ALAR / No / Acc" error.
- The alarm signal ends when resetting manually the mother board by pressing ON / OFF button for about 2 seconds.

NO FIRE

If during the work phase the stove switches off (the fume temperature drops below parameter P-13), the stove goes to controlled cooling mode.

- The display shows the "Alar / No / Fire" error.
- The alarm signal ends when resetting manually the mother board by pressing ON / OFF button for about 2 seconds.

BLACK OUT

If during the work phase there is a power cut, the stove shows the blackout alarm when re-ignition and then goes to controlled cooling mode.

- The display shows the "Blackout" error.
- The alarm signal ends when resetting manually the mother board by pressing ON / OFF button for about 2 seconds.

FAN FAIL

If during the work phase the speed of the fume extractor decrease and the mother board is not able to maintain the set speed, the stove goes to controlled cooling mode.

- The display shows the "Alar / Fan / Fail" error.
- The alarm signal ends when resetting manually the mother board by pressing ON / OFF button for about 2 seconds.

SIC DEP FAIL

If during the work phase the pressure switch or safety thermostat shows an anomaly, the stove goes to controlled cooling mode.

- The display shows the "Alar / Dep / Sic / Fail" error.
- The alarm signal ends when resetting manually the mother board by pressing ON / OFF button for about 2 seconds.
- In this case the pressure switch and the thermostat need to be checked by an authorized service center.

HOT PCB

If during operation the control board reaches and exceeds 70° C for over 3 minutes, this dangerous situation is showed on the display and the stove goes to cooling mode due to internal overheating.

- The display shows the "Hot / Pcb" error.
- The alarm signal ends when resetting manually the mother board by pressing ON / OFF button for about 2 seconds.
- In this case the stove need to be checked by a technician.

SERV

When the display shows the message "serv", it means that the stove has reached 1200 hours of operation and that it is recommended to contact the authorized service center for seasonal maintenance.

Regular checks should be carried out by the user, who should only contact the Authorized Assistance Center if no solution is found.

Stove maintenance and cleaning

Before performing any maintenance operation on the stove, take the following precautions:

- make sure that all parts of the stove are cold;
- make sure that the ashes are completely extinguished;
- make sure that the main switch is in the OFF position;
- disconnect the plug from the socket, thus avoiding accidental contacts;
- once the maintenance phase is completed, check that everything is in order as before starting use (the brazier correctly).



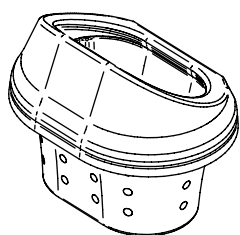
Please follow the cleaning instructions below carefully. Non-compliance can result in problems in the operation of the stove.

Cleaning the brazier and brazier support

When the flame assumes a red colour or is weak, accompanied by black smoke, this means that there are ash deposits or incrustations that prevent correct functioning of the stove and that must be removed.

Every day remove the brazier simply by lifting it from its seat; then clean away from it any ash and deposits that could form, paying particular attention to freeing the plugged holes with the use of a pointed tool (not supplied with the stove). This operation is especially necessary the first few times upon each ignition, especially if pellets other than those recommended by the manufacturer are used. The frequency of this operation is determined by the frequency of use and the choice of pellet.

It is also good to check the brazier support, suctioning out any ash present with a vacuum cleaner.



Brazier



Brazier support

Ash drawer

Open the door and remove all the ash deposited inside the ash collection compartment with a vacuum cleaner. This operation can be performed fairly frequently depending on the quality of the pellets being used.

Cleaning the glass

The glass is self-cleaning therefore, while the stove is in operation, a veil of air flows along the surface of the same, keeping any ash and dirt away; however, within a few hours, a greyish film will form, to be cleaned away upon the first shutdown of the stove. Blackening of the glass also depends on the quality and quantity of pellets being used.

The glass must be cleaned when the stove is cold using products recommended and tested by our company.

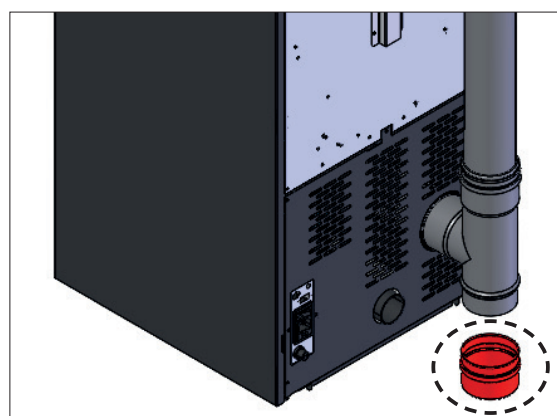
When this operation is being performed, always observe if the grey seal around the glass is in a good condition; failure to check the efficiency of this seal can compromise the operation of the stove. However, poor quality pellets may cause the glass to blacken.



In the case of broken glass, do not attempt to ignite the stove.

Cleaning the T-fitting

Every 45 days it is necessary to check and possibly clean the T-fitting.



Surface cleaning

To clean the surfaces use a rag soaked with water or at most neutral soap and water.



The use of aggressive detergents or thinners can damage the surfaces of the stove. Before using any detergent it is advisable to try it on a point that is not in sight or contact the Authorised Service Centre for all advice on the matter.

Cleaning of metal parts

To clean the metal parts of the stove use a soft cloth, dampened with water. Never clean the metal parts with alcohol, thinners, petrols, acetones or other degreasing substances. In case of use of these substances, our company declines all responsibility. Any changes in the shades of the metal parts may be due to improper use of the stove.



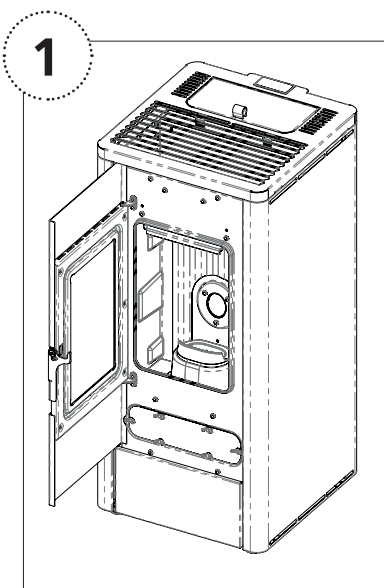
It is necessary to perform daily cleaning of the brazier and periodic cleaning of the ash drawer. The reduced or absence of cleaning can in some cases prevent ignition of the stove with consequent damage to the stove and to the environment (possible emissions of incombustible material and soot). Do not reintroduce pellets that may be present in the brazier due to non-ignition.

Extraordinary maintenance and cleaning of the stove

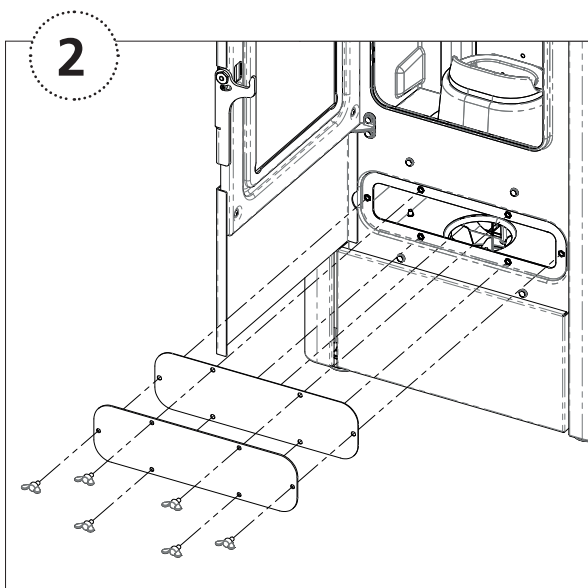
BY THE SPECIALIST TECHNICIAN

Yearly check

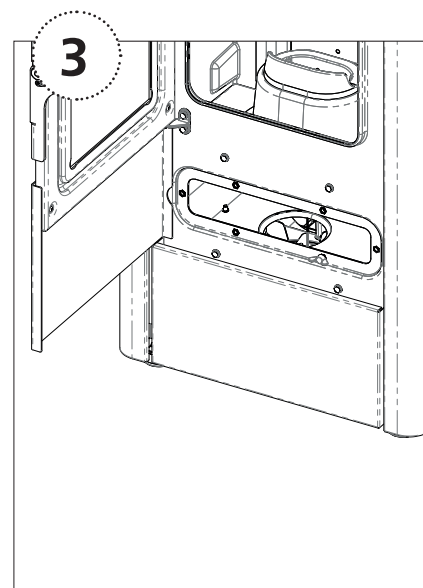
Cleaning of the heat exchanger pipes



Open the door of your stove.

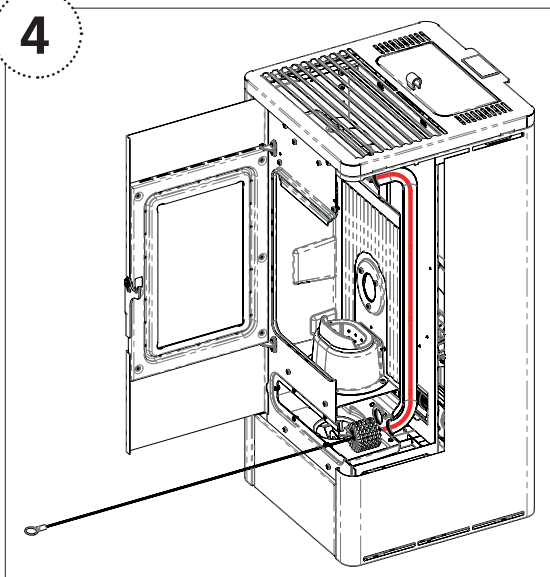


Remove the screws and the inspection cover.



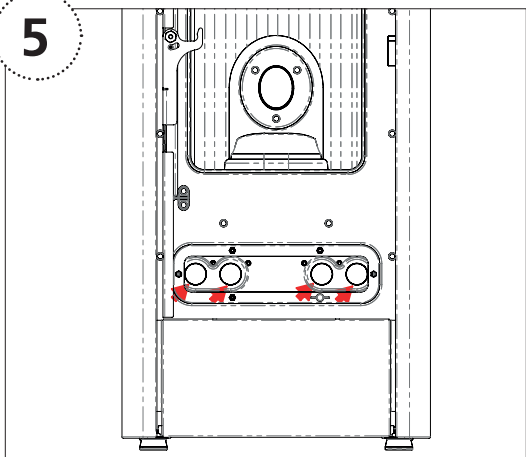
Clean the inspection compartment.

4



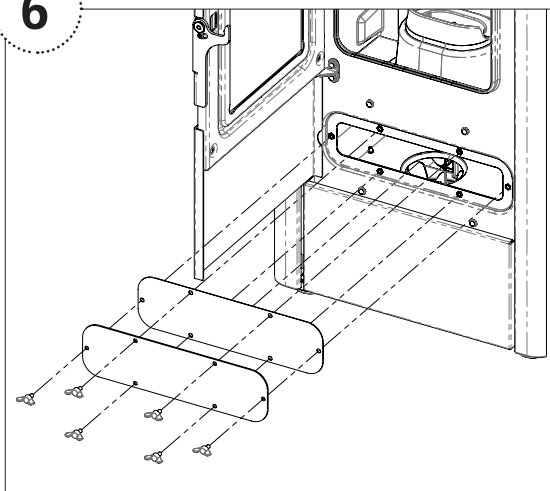
Using the brush, clean the exchange pipes. To facilitate insertion, it is advisable to bend the tip of the brush.

5



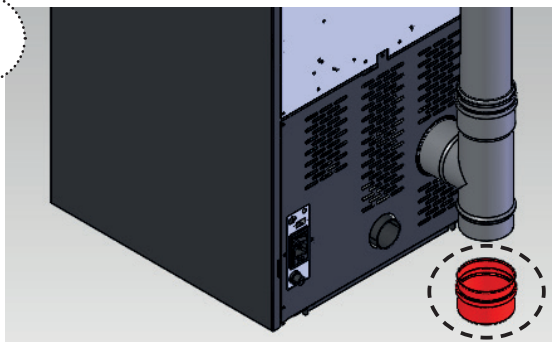
Clean each of the 4 holes indicated by the arrows.

6



Refit the fume inspection cover and seal, tightening the screws.

7



Remove the cap and clean the T-fitting located behind the stove.

Cleaning the exhaust system

Until reasonable experience on the operating conditions is gained, this maintenance should be performed at least monthly.

- disconnect the power supply cable;
- remove the T-fitting cap and clean the ducts; if necessary, at least for the first few times, contact qualified personnel;
- thoroughly clean the smoke exhaust system: for this purpose contact a professional chimney sweeper;
- clean the area behind the inner cladding panels from dust, cobwebs, etc. once a year, especially the fans.

Cleaning the fans

The stove is equipped with fans (room and fume fans) located in the lower part of the stove itself. Any dust or ash deposits on the fan blades create an imbalance that causes noise during operation. It is therefore necessary to clean the fans at least once a year. As this operation involves having to disassemble some parts of the stove, have the fan cleaned only by our Authorised Service Centre.

End-of-season cleaning

At the end of the season, when the stove is no longer being used, a more thorough and general cleaning is recommended:

- remove all the pellets from the tank and from the auger;
- thoroughly clean the brazier, brazier support, combustion chamber and ash drawer.

If the above points have been observed, this only involves a check of the condition of the stove.

It is necessary to clean the exhaust pipe or flue more thoroughly and to check the condition of the basket: if necessary, order this intervention through the Authorised Service Centre. If necessary lubricate the door and handle hinges. Also check the ceramic fibre rope near the glass, on the inner wall of the door: if it is worn or too dry, order it from the Authorised Service Centre.

Maintenance and cleaning



All cleaning of all parts must be carried out with the stove completely cold and unplugged to avoid burns and thermal shock. The stove does not need much maintenance if used with certified quality pellet. The need for maintenance varies depending on the conditions of use (switching on and off repeatedly) and depending on the performance required.

Parts	Everyday	Every 2-3 days	Every week	Every 15 days	Every 30 days	Every 45 days	Every year / 1200 h
Brazier	◇						
Cleaning ash collection compartment		◇					
Cleaning the door and glass		◇					
Cleaning the interior heat exchanger / smoke fan compartment							●
Cleaning complete exchanger							●
Clean "T" to exhaust						◇	
Fume duct using the appropriate tool						◇	
Door gasket ash							●
Internal parts							●
Flue pipe							●
Electromechanical components							●

- ◇ by the user
- by the authorised qualified technical assistance

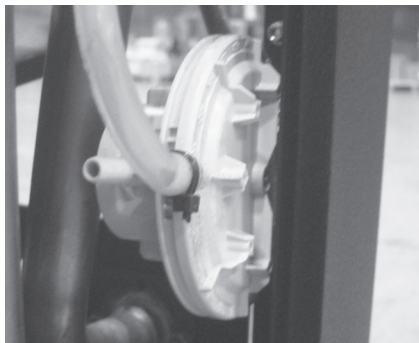


Every 1200 hours of work the electronic board sends a warning signal and the display will show "SERVICE". This indicates the need for a thorough cleaning of the stove by a CAT. The lack of such cleaning could result in failure of the stove and poor combustion, thereby resulting in a lower yield.

Safety devices

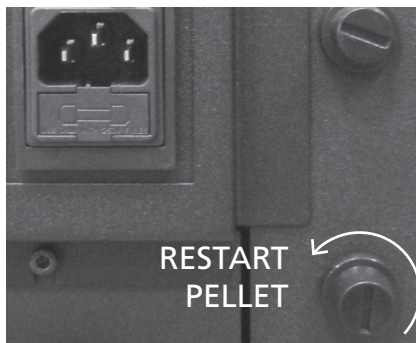


Tampering with the safety devices is prohibited. It is only after eliminating the cause which gave rise to the intervention of the safety system, that it is possible to relight the stove and thus reset the automatic operation of the sensor. To understand which anomaly has occurred, consult this manual at paragraph relating to alarms which explains what to do based on the alarm message the stove display.



Pressure switch:

monitors the pressure in the smoke duct. It blocks the pellet feed screw if the outlet is obstructed or if there is significant back pressure, e.g. in the presence of wind. When the pressure switch trips, the message "**ALAR-DEP-FAIL**" appears.



Pellets temperature safety:

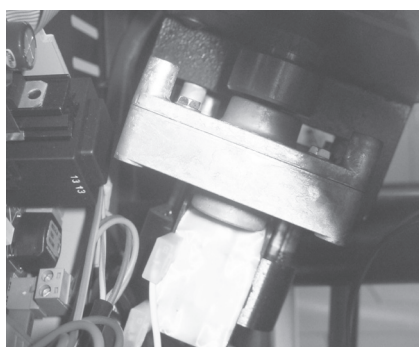
In the very rare case of an over-temperature inside the stove, the manually reset pellet-safety thermostat generates an "**ALAR-SIC-FAIL**" alarm, interrupting the operation of the stove; it must be reset by the customer by resetting the aforementioned device behind the stove.



Electrical safety:

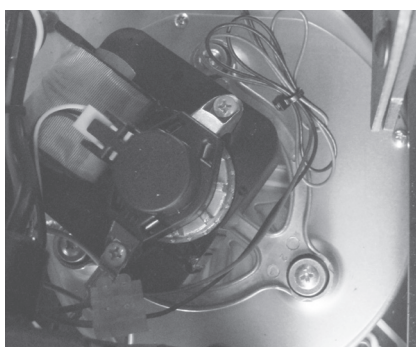
the stove is protected against violent surges of current (ex. lightnings) by the main fuse 4 A which is located on the control panel at the rear of the stove. Other fuses to protect the electronic boards are to be found on the boards themselves.

Other components



Reduction motor:

if the motor stops, the stove continues to function until the flame goes out for lack of fuel, and until it has cooled down to the minimum level.



Flue gas temperature sensor:

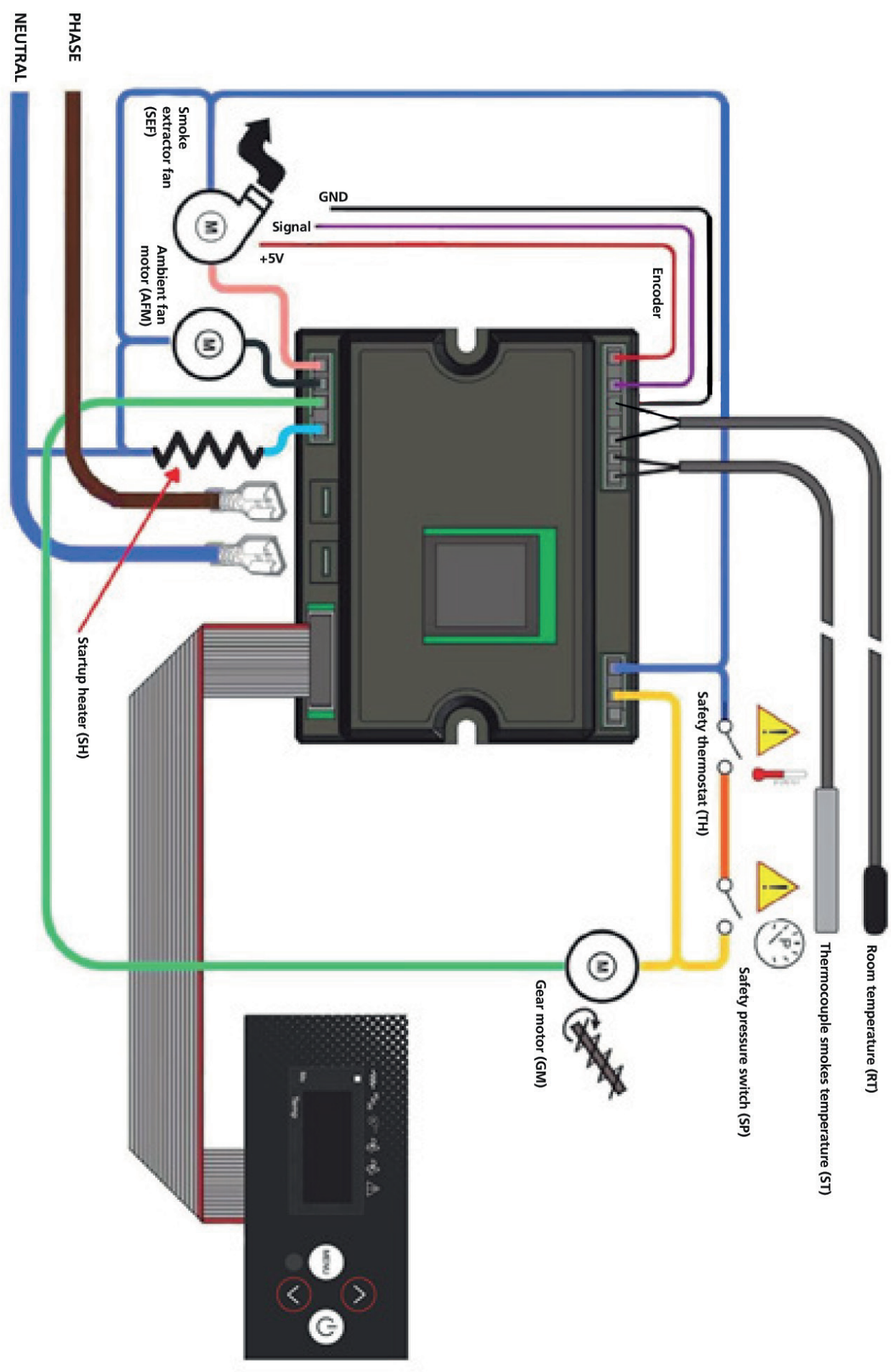
thermocouple that measures the temperature of the fumes while keeping the operation or shuts the stove when the flue gas temperature drops below the preset value.



Room thermostat:

the room thermostat detects the present temperature in the room. When it detects the set temperature on the display, the stove will go into operation in **ECO** ie hold function to save fuel. The room thermostat should be spread so as not to be conditioned by the temperature of the body stove.

Electrical connection scheme



Problems and solutions



All repairs must be carried out exclusively by a specialised technician, with the stove completely cold and the electric plug pulled out. Is prohibited from any unauthorized modification to the device and the replacement of parts with other non-original. The operations marked in bold type must be carried out by specialised personnel.

Any inconvenience and solutions

Given that all stoves are tested in their parts handling and work and therefore are delivered in perfect physical condition and operation, it should be remembered that the transport, unloading, handling, misuse or poor maintenance, can be causes of drawbacks. The main problems may be solved by reading the table below. If after doing as hereinafter described the problem is not resolved, contact your authorized service center.

PROBLEM	POSSIBLE CAUSE	REMEDY
Display off and buttons are not working	<ol style="list-style-type: none"> 1. Power failure in the network 2. Switch back off 3. Display defective 4. Fault in the connection of the display with the card 5. Fuse board interrupted 6. Card defective 	<ol style="list-style-type: none"> 1. Check that the power cord is connected 2. Use the switch back to operate it 3. Unplug the stove from the power outlet for about one minute and then turn on. If the problem persists, contact an authorized service center 4. Check that the display and board are properly connected. Contact your authorized service center 5. Contact an authorized service center 6. Contact an authorized service center
Remote inefficient	<ol style="list-style-type: none"> 1. Too far from the stove 2. No batteries in the remote 3. The remote control is broken 	<ol style="list-style-type: none"> 1. Move closer to the stove 2. Check and change the batteries 3. Replace the remote control
Failure to ignite the stove	<ol style="list-style-type: none"> 1. Excessive accumulation of ash in the grate 2. Incorrect ignition procedure 	<ol style="list-style-type: none"> 1. Clean the grate 2. Repeat the ignition procedure. If the problem persists, contact your authorized service center
Smoke comes from the grill	<ol style="list-style-type: none"> 1. Accidental electrical blackout 	<ol style="list-style-type: none"> 1. In case of ignition phase interrupted and momentary interruption of the fan, can occur slight amount of smoke
Hot air fan is not working	<ol style="list-style-type: none"> 1. The stove has not yet been heated 	<ol style="list-style-type: none"> 1. Wait until the conclusion of the ignition cycle. Arrived in temperature, the fan will start automatically. If the problem persists, contact your authorized service center.

<p>The stove does not turn on automatically</p>	<ol style="list-style-type: none"> 1. The tank is empty. 2. The resistance does not reach the temperature 3. Resistance damaged 4. The pellet drops 5. Screw motor defective 6. The grate is not in place or is dirty 7. Obstruction of nests or foreign bodies in the chimney or fireplace 8. Check operation of the glow plug 9. The ash drawer is not closed properly 10. Clogged flue and chimney 11. Smoke extractor not working 12. Temperature sensor defective 13. Pellet wet 	<ol style="list-style-type: none"> 1. Fill the tank with pellets 2. Check the electrical wiring and fuses, replace if the resistance is broken 3. Replace the resistance 4. It is recommended to unplug the power supply before: <ul style="list-style-type: none"> - check that the pellet is not caught in the chute - check that the cochlea is not blocked by dirt - check the seal of the pellet-door 5. Contact an authorized service center 6. Check that the hole in the brazier matches the glow plug, clean brazier 7. Remove any foreign body from the chimney or flue pipe 8. Make sure that there is power. Replace the spark plug if burned 9. Close the drawer ashtray 10. Perform periodic cleaning 11. Check the operation of the extractor flue 12. Contact an authorized service center 13. Make sure the place of stowage pellet and replace it with a handful of dry pellets
<p>Lock the stove. Pellets not being fed into the combustion chamber</p>	<ol style="list-style-type: none"> 1. The tank is empty 2. The cochlea is no pellet 3. Technical problem of the cochlea 4. Reduction motor failure 5. Electronic board faulty 	<ol style="list-style-type: none"> 1. Load the pellets in the tank. 2. Fill the tank and proceed as instructed before ignition stove 3. IT IS RECOMMENDED to unplug the power supply before: <ul style="list-style-type: none"> - empty the tank and manually free the auger from obstructions (sawdust) - release the slide from obstructions - remove the dust accumulation of pellets in the bottom of the tank 4. Replace the reduction motor 5. Replace the electronic board
<p>The stove runs for a few minutes and then turn off</p>	<ol style="list-style-type: none"> 1. Lighting cycle not completed 2. Temporary failure of electricity 3. Probes fumes defective or broken or not inserted 	<ol style="list-style-type: none"> 1. Re-run power 2. Re-run power 3. Check and replace sensors
<p>Fume extraction fan does not stop</p>	<ol style="list-style-type: none"> 1. The stove has not yet cooled 	<ol style="list-style-type: none"> 1. Allow the stove to cool. Only after cooling fan will stop. If the problem persists, contact your authorized service center

<p>The stove is clogged early in the brazier with burning irregular, door glass gets dirty, the flame is long, reddish and weak</p>	<ol style="list-style-type: none"> 1. Flue with presence of stretches too long or clogged 2. Too pellet 3. Excessive pellet or ash deposits in the brazier 4. The brazier is not found in its slot 5. Wind contrary to the exhaust flow 6. Insufficient combustion air 7. You changed the type of pellets used 8. Smoke extractor motor broken 9. Door closed incorrectly 	<ol style="list-style-type: none"> 1. Perform periodic cleaning. See paragraph stove installation in the user manual. Check chimney cleaning 2. Decrease in the parameters the charge level of the pellets 3. Clean the brazier after waiting for the total shutdown of the stove. If you repeat contact your Authorized Service Center 4. Check that the hole in the brazier matches the glow plug 5. Check the chimney cap windproof and / or possibly install it 6. Check the correct position of the brazier, its cleanliness and check that the air intake in both free environment, verify the status of the door seal, increase the level in the parameter relative to the speed of the fan exhaust fumes. Contact your Authorized Service Center 7. Check the quality of the pellets. Contact your Authorized Service Center 8. Increase the level in the parameters relating to the speed of the fan exhaust fumes. Check and eventually replace motor 9. Check that the glass is sealed and the seal guarantees tightness
<p>Smell of smoke in the environment. Turning off the stove.</p>	<ol style="list-style-type: none"> 1. Poor combustion 2. Malfunction of fan fumes 3. Installation of the flue performed incorrectly 4. Clogged chimney 	<ol style="list-style-type: none"> 1. Contact your Authorized Service Center 2. Contact your Authorized Service Center 3. Contact your Authorized Service Center 4. Contact your Authorized Service Center
<p>In the automatic position the stove always runs at full power</p>	<ol style="list-style-type: none"> 1. Room thermostat set to maximum 2. Significant temperature sensor failure 3. Control panel defective or broken 	<ol style="list-style-type: none"> 1. Reset the thermostat temperature 2. Check the operation of the sensor and replace if necessary 3. Check the control panel and replace if necessary
<p>The engine smoke extraction does not work</p>	<ol style="list-style-type: none"> 1. The stove has no voltage 2. The motor is broken 3. The board is defective 4. The control panel has failed 	<ol style="list-style-type: none"> 1. Check the supply voltage and the protection fuse. 2. Check the motor and capacitor and replace if necessary. 3. Replace the circuit board. 4. Replace the control panel.

<p>The fire goes out or the stove stops automatically</p>	<ol style="list-style-type: none"> 1. The pellet tank is empty 2. No power 3. Pellets not being fed 4. Excessive deposit of ashes in the grate 5. Intervention probe temperature safety of the pellet 6. Cochlea blocked by dirt 7. The door is not closed properly or gaskets worn 8. Pellet inadequate 9. Low pellet 10. Chimney or drain clogged with nests or foreign bodies 11. Pressure switch cuts 12. Smoke extraction motor failure 13. Alarm active 	<ol style="list-style-type: none"> 1. Fill the tank with pellets 2. Check plug and presence electricity 3. Fill the tank with pellets 4. Clean the brazier 5. Let the stove cool down completely, reset the manual reset and restart the stove. If the problem persists, contact your authorized service representative 6. Pull the plug, empty the tank, remove any foreign objects 7. Close the door or replace the gaskets with original 8. Change the type of pellet recommended by the manufacturer. Sometimes, depending on the type, the stage of adjustment of the parameters need to vary the level relating to the loading of pellets 9. Increase the level in the parameter for the pellet feed. To check the flow of fuel from technical authorized 10. Eliminate all foreign matter from the chimney Clean the smoke duct. Perform periodic cleaning. 11. Verify potential smoke duct is blocked and if the pressure switch is working properly 12. Check and replace the motor if necessary 13. See paragraph alarms
<p>The air fan convention (ambient air) never stops</p>	<ol style="list-style-type: none"> 1. Temperature sensor temperature control defective or broken 2. Smoke probe fails 	<ol style="list-style-type: none"> 1. Check the operation of the sensor and replace if necessary 2. Replace smoke probe
<p>The stove does not light.</p>	<ol style="list-style-type: none"> 1. Lack of electricity 2. Probe pellets in bulk 3. Fuse blown 4. Pressure switch broken (lockout indicated) 5. Smoke outlet or duct clogged 	<ol style="list-style-type: none"> 1. Check that the electrical outlet is plugged in and the power switch to "I" 2. Lockout by resetting the rear thermostat, replace the thermostat if it happens again 3. Replace the fuse 4. Replace the pressure 5. Clean the smoke outlet and / or smoke duct



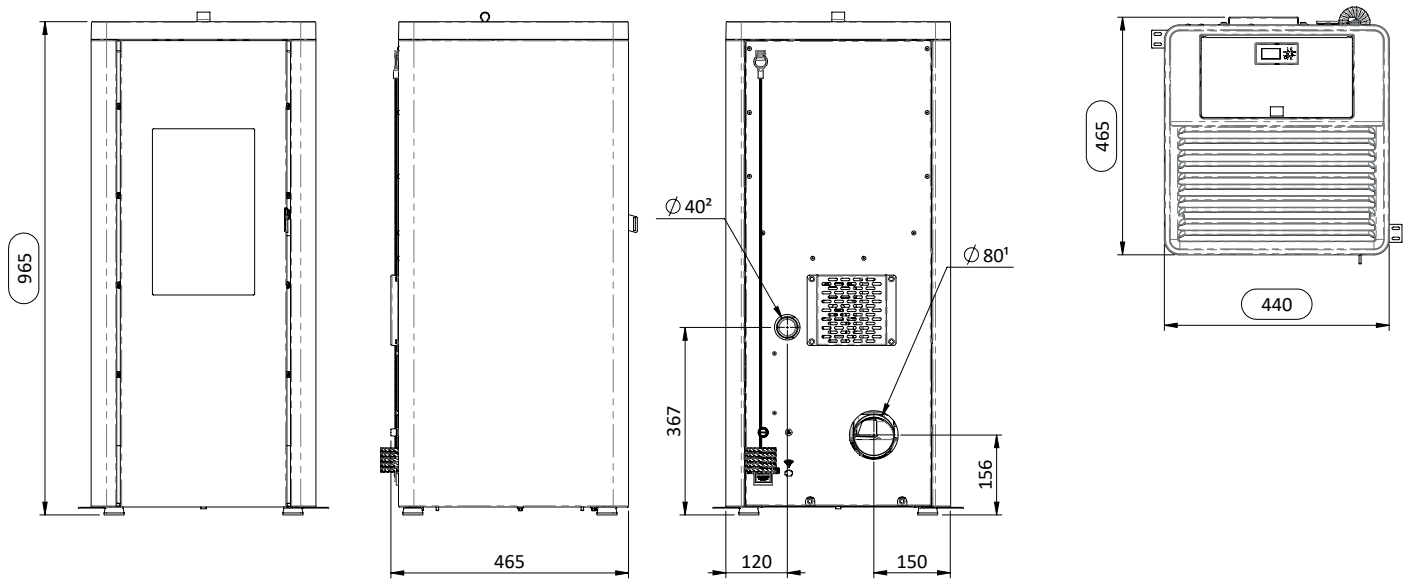
The manufacturer of the stove any liability and will void the warranty terms of the product for any inconvenience caused by not following the rules described above. Any work of service center will be borne by the applicant if they are not complied with these instructions.

Technical data

PARAMETER		A10
Heat input	kW	9,2
Nominal heat output	kW	8,3
Reduced nominal heat output	kW	3,4
CO concentration at nominal referencel at 13% O ₂	mg/m ³	198
CO concentration at reduced referencel at 13% O ₂	mg/m ³	280
Nominal efficiency	%	90,3
Reduced efficiency	%	91,6
Average consumption	kg/h	0,8 - 1,9
Heatable area	mc	215
Flue gas flow rate	g/s	3,3 - 4,8
Draft advised	Pa	10 - 12
Flue gas temperature	°C	110 - 195
Tank capacity	Kg	16
Recommended fuel	(ø x H) mm	pellet 6x30
Diameter smoke outlet tube	mm	80
Diameter air intake	mm	40
Nominal voltage	V	230
Nominal frequency	Hz	50
Power consumption	W	330
Stove weight	Kg	55
EEl (Energy Efficiency Index)		127
N° Test Report		
Energy class		A+
Powders at 13% O ₂ Ref. nominal heat input	mg/m ³	14,7
Decreto n. 186 del 7/11/2017		★★★★★

It is recommended to control emissions after installation.

In order to achieve the test report results, please load the performance parameters retained by the manufacturer and the qualified technician. They will use these parameters once verified that, during the installation, it is possible to reproduce the laboratory conditions. This performance is only reached after 15/20 working hours at nominal power.



1. SMOKE OUTLET $\text{Ø } 80$ mm
2. AIR INTAKE $\text{Ø } 40$ mm

REMARKS:

- measurements are approximate and may vary based on to the aesthetics of the stove
- the positions of the tubes in the rear view are indicative and tolerance of ± 10 mm
- measures with a tolerance of about 10 mm

Centrometal

HEATING TECHNIQUE



Company assumes no responsibility for possible inaccuracies in this book originated typographical errors or rewriting, all the pictures and diagrams are principal and it is necessary to adjust each actual situation on the field, in any case the company reserves the right to enter their own products such modifications as considered necessary.

Centrometal d.o.o. Glavna 12, 40306 Macinec, Croatia

central tel: +385 40 372 600, fax: +385 40 372 611
service tel: +385 40 372 622, fax: +385 40 372 621

www.centrometal.hr
e-mail: servis@centrometal.hr